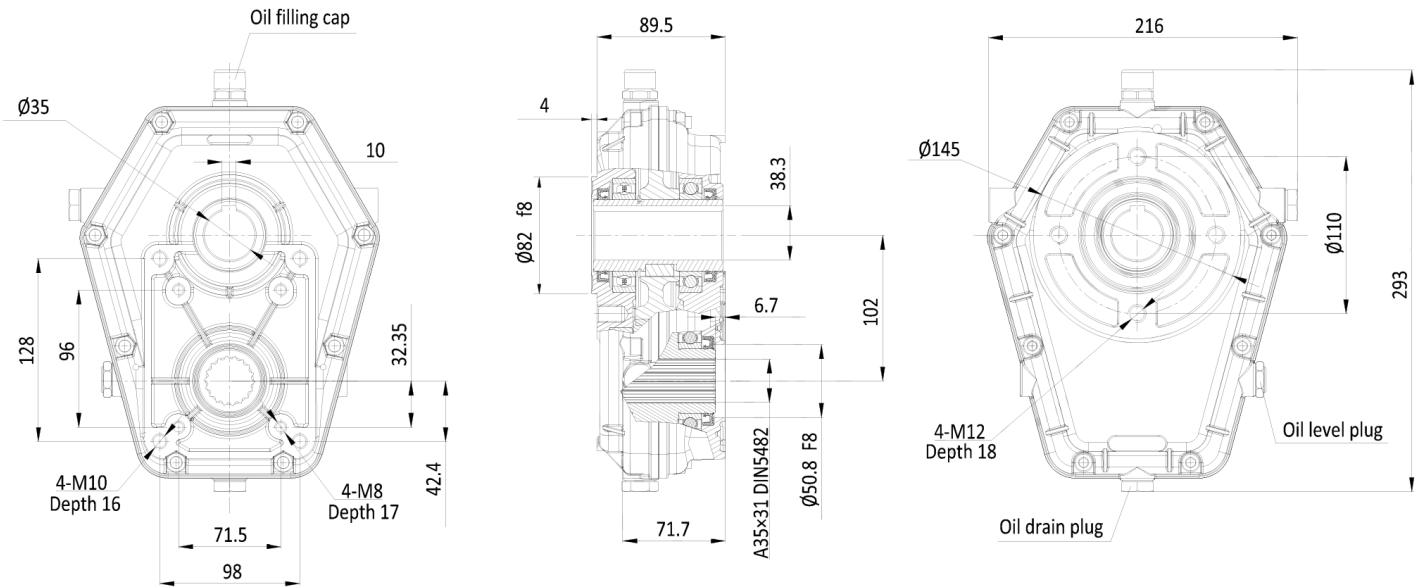


DATASHEET – DIMENSIONS



Weight:	8,1 kg
Input torque:	437 Nm
Output torque:	115 Nm
Input revolution:	540 rpm
Output revolution:	2057 rpm
Ratio:	1:3,8
For loads:	20 kW